

**three-piece, »multifix« series**

Three-piece service units consisting of a reversible diaphragm pressure regulator, independent of inlet pressure, with self-relieving design, centrifugal separator and proportional lubricator.

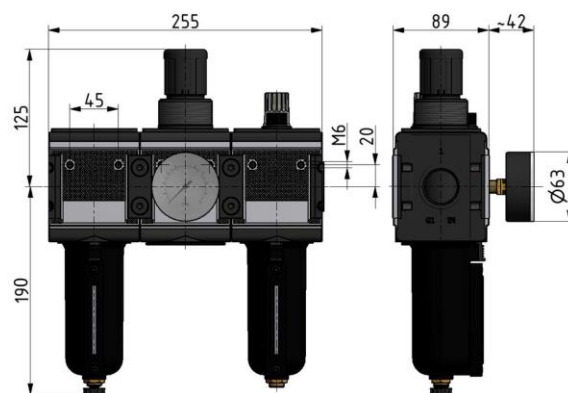
|                           |   |
|---------------------------|---|
| Control range:            | 0.5 - 10 bar  |
| Medium temperature:       | -10 to 60 °C  |
| Ambient temperature:      | -10 to 60 °C  |
| Drain valve:              | Semi-automatic  |
| Spring bonnet:            | POM-brass   |
| Sealant:                  | NBR   |
| Flow rate measurement:    | At $P_1 = 10$ bar, $P_2 = 6.3$ bar and pressure drop $\Delta p = 1$ bar |
| Internal air consumption: | Depending on secondary pressure   |

**Service unit, 3-piece with metal bowl and sight glass, metal (zinc-glass-NBR) sight dome**

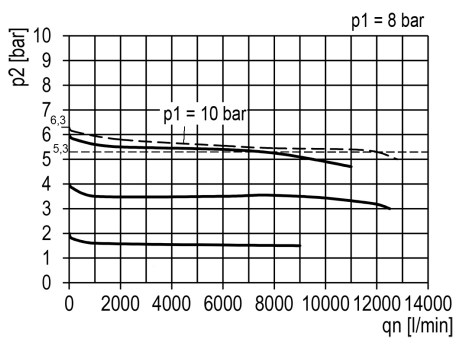
| Art. No. | Type No.       | Thread | Max. input pressure<br>bar | Housing            | Filter rating<br>$\mu\text{m}$ | Flow rate<br>l/min | Size | DN |
|----------|----------------|--------|----------------------------|--------------------|--------------------------------|--------------------|------|----|
| 133130   | FRL 45 M-SR-10 | G 1    | 20                         | Die-cast aluminium | 5                              | 12000              | 4    | 25 |

**Accessories / spare parts**

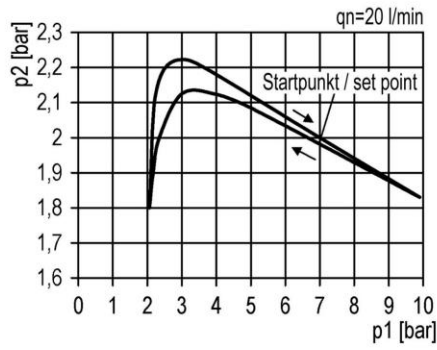
| Art. No. | Type No.    | Description  |
|----------|-------------|--|
| 135858   | ZW 45       | Mounting bracket with 2 screws                               |
| 135857   | KP 45       | Coupler pack for modular assembly of several devices         |
| 135859   | KSS 45 F-HA | Polycarbonate bowl, Bowl guard with semi-automatic draining  |
| 135860   | KSS 45 F-A  | Polycarbonate bowl, Bowl guard with fully automatic draining |
| 135861   | MS 45 FS    | Metal bowl with sight glass and semi-automatic draining      |
| 135862   | MS 45 FS-A  | Metal bowl with sight glass and fully automatic draining     |
| 135863   | KSS 45 NS   | Polycarbonate bowl, without drain valve                      |
| 135864   | MS 45 NS    | Metal bowl, without drain valve                              |
| 100362   | 655.6.900   | Automatic drain valve  |
| 135855   | 22.1845.4   | Set of wearing parts   |
| 100144   | 6141.6.905  | Filter element 5 $\mu\text{m}$ , Cellpor                     |
| 100392   | 1233.7.990  | Sight dome (polyamide PA)                                    |
| 100393   | 1233.7.909  | Sight dome, metal  |



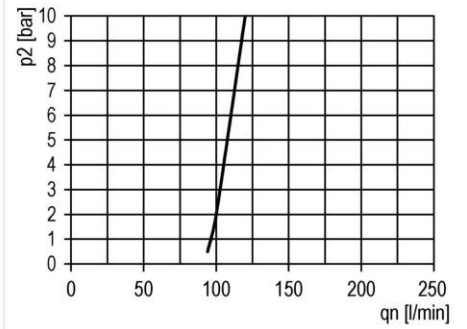
flow characteristic



pressure characteristic



lubricator operating limit



symbol

